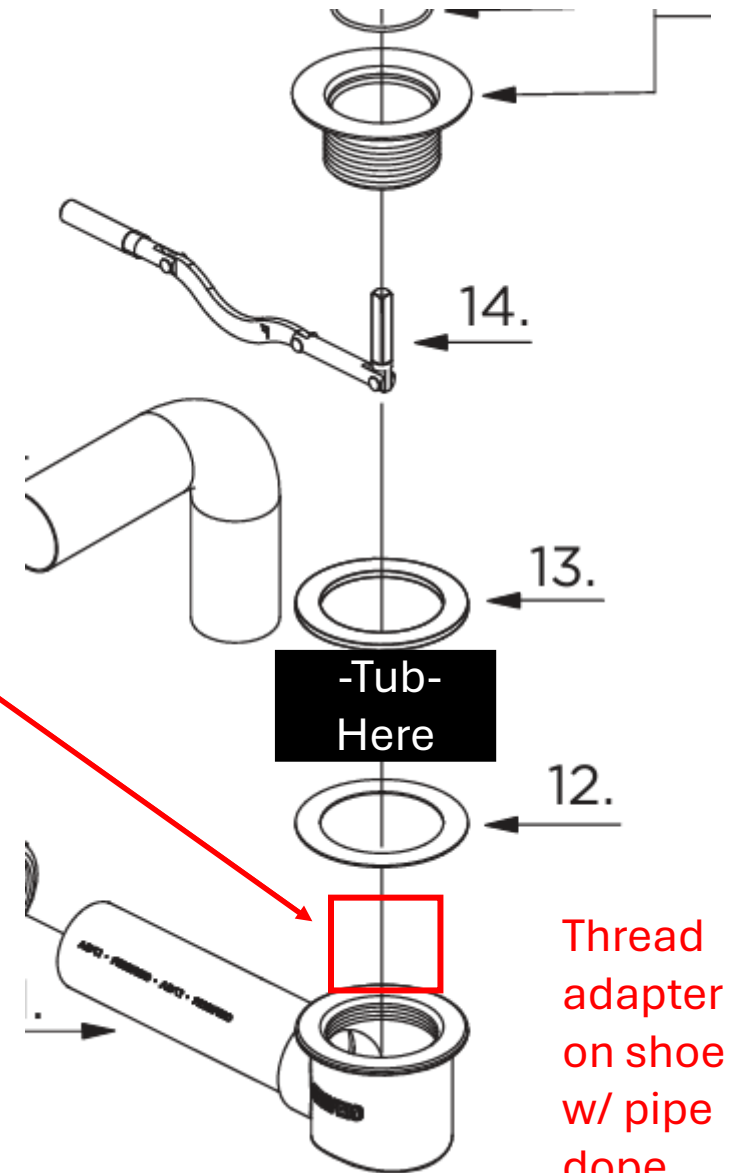


Brass 1 1/2" Female NPT to 1 1/2" Male NH / NST (Hex)

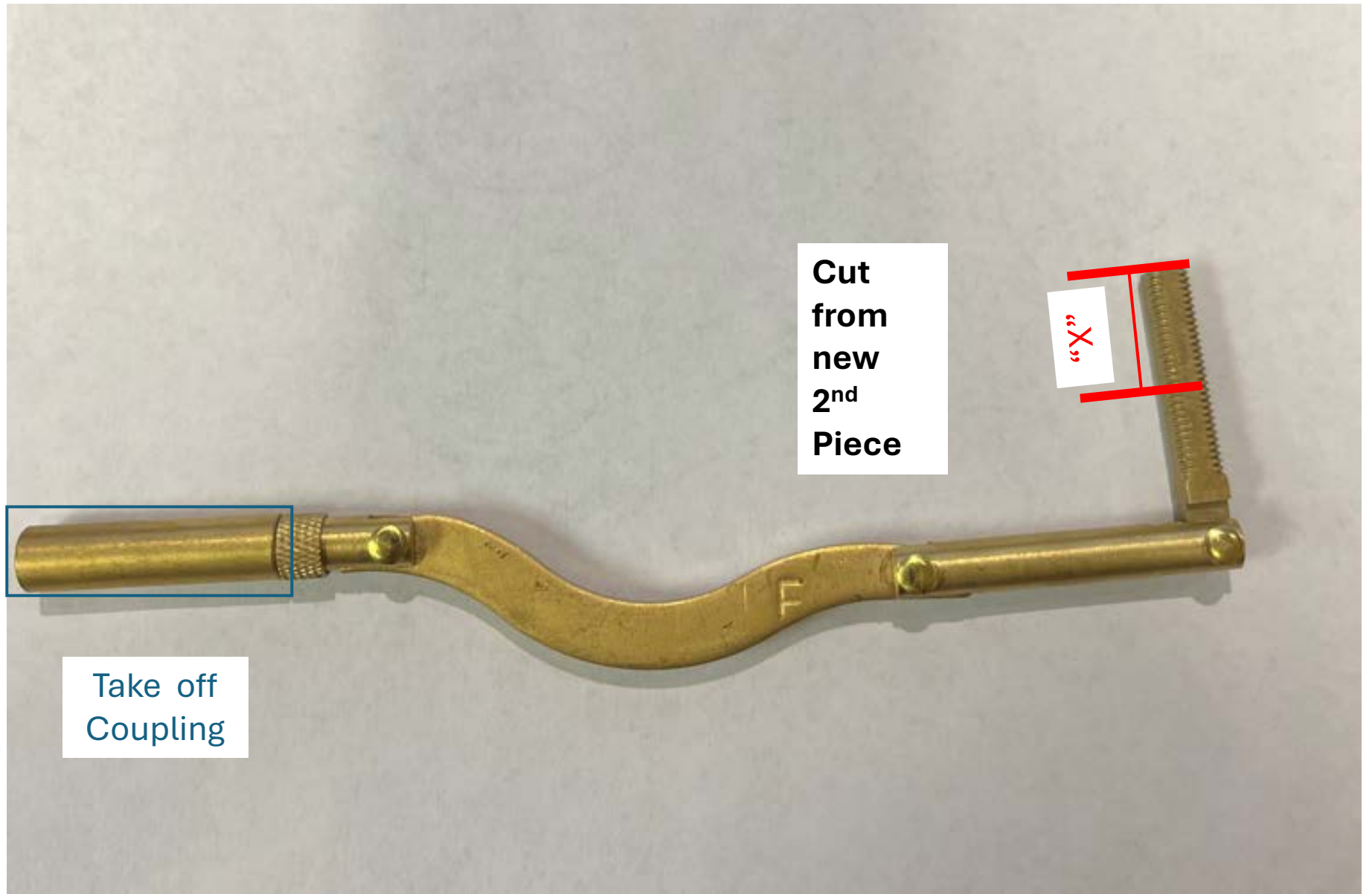


- Female Side - 1 1/2 inch NPT
- The Female Will Only Connect to a Male 1 1/2 inch NPT
- Male Side - 1 1/2 inch NH / NST
- The Male Will Only Connect to a Female 1 1/2 inch NH / NST





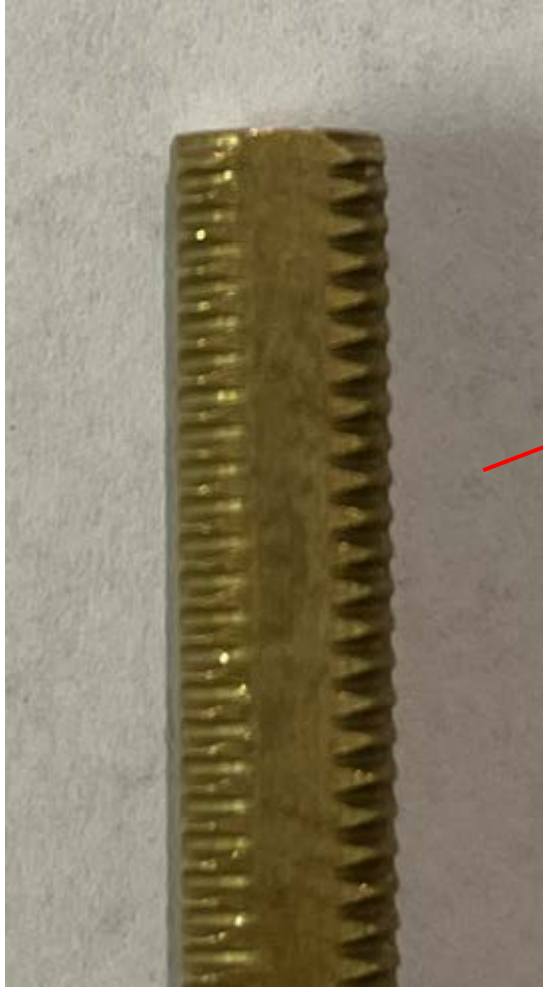
FireHoseDirect



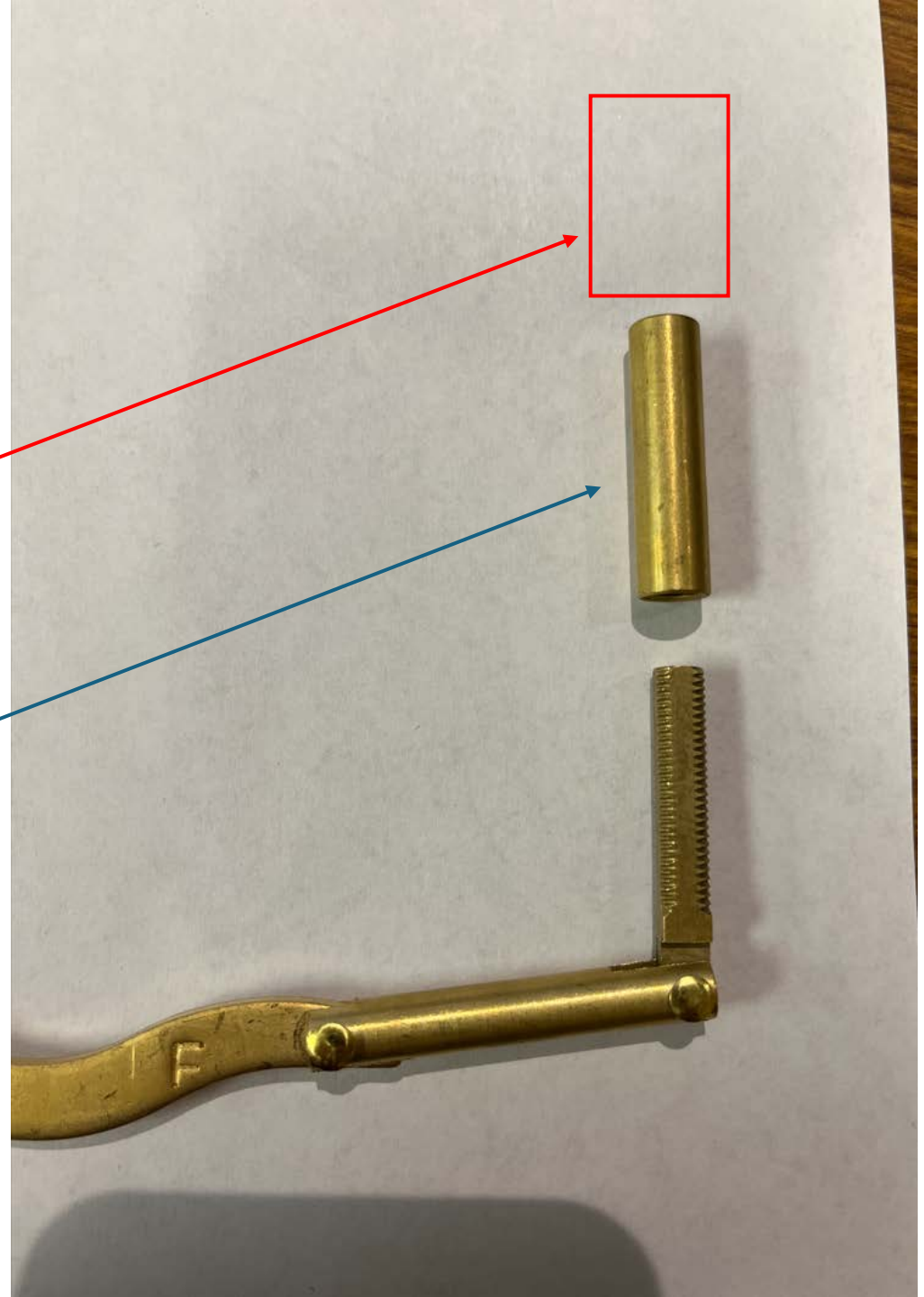
Take off Coupling

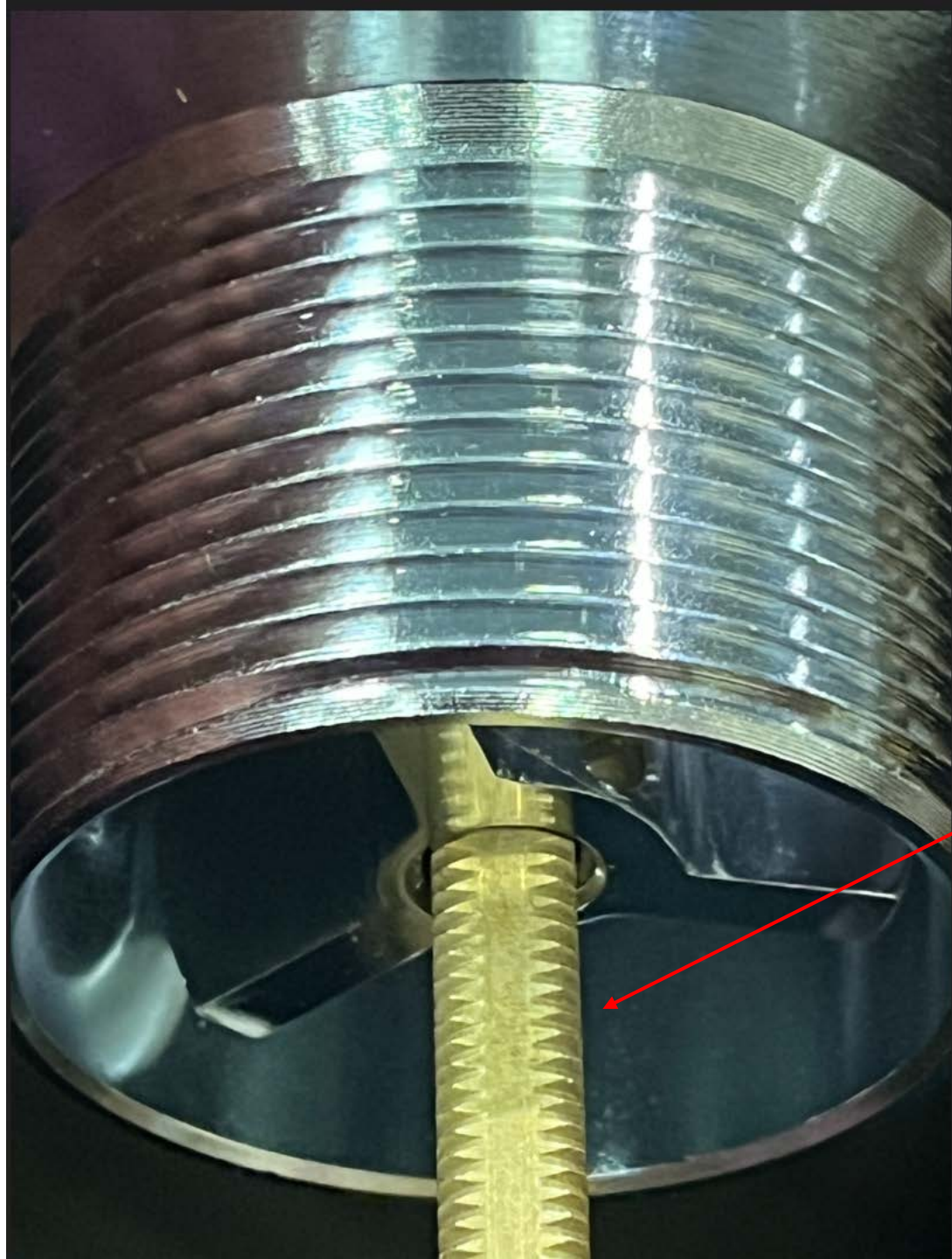
Cut from new 2nd Piece

"X"



**Use cut piece  
along with  
coupling  
from second  
linkage to  
extend the  
total length**





**Should be  
long enough  
for the pop-  
up to  
function  
properly**